

# Ezi-SERVO<sup>®</sup>

## Closed Loop Stepping System

---

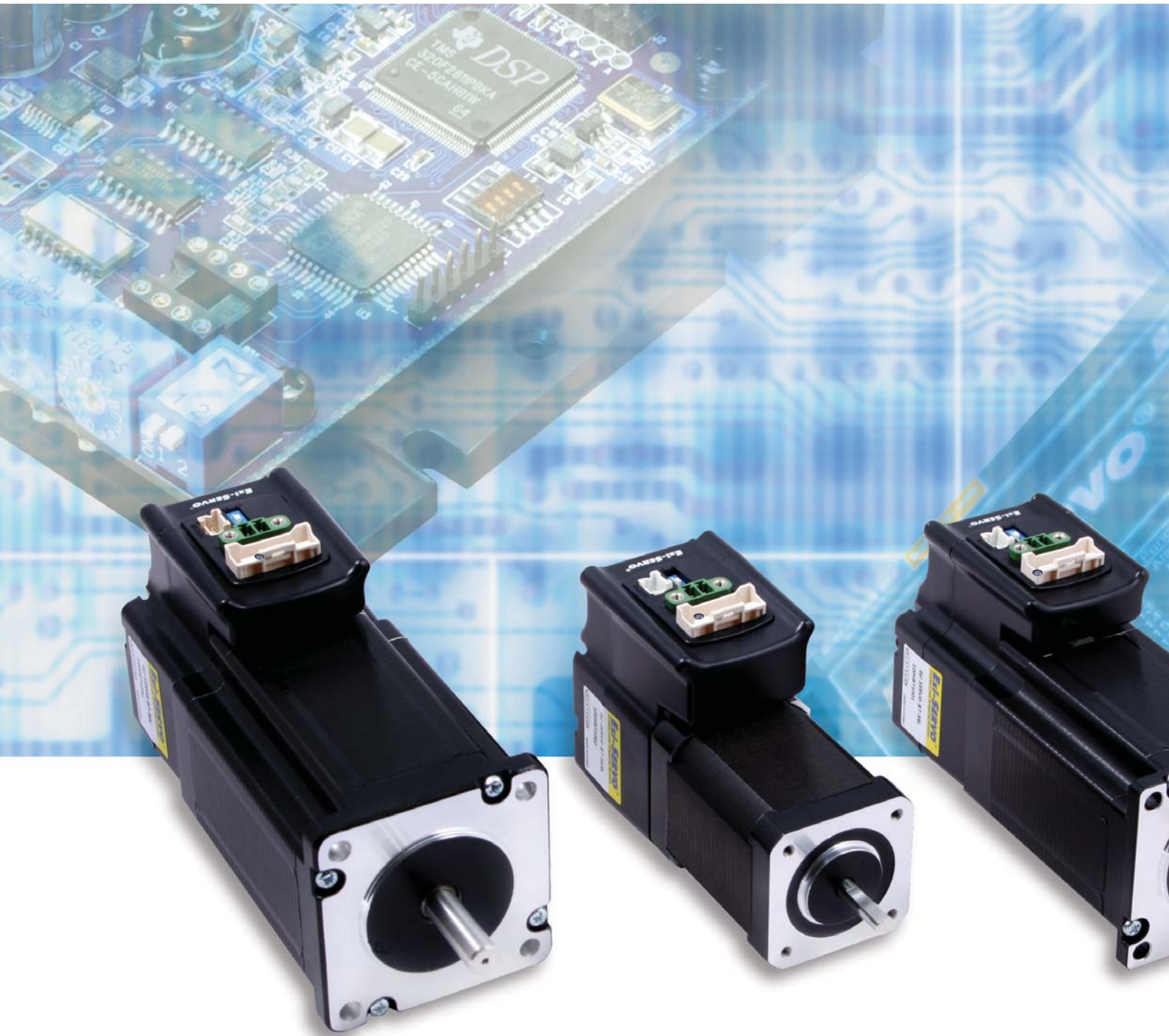
- Motor + Encoder + Drive
- Closed Loop System
- No Gain Tuning / No Hunting
- High Resolution / Fast Response

**BT**



**FASTECH**

*Fast, Accurate, Smooth Motion*



**FASTECH**

*Fast, Accurate, Smooth Motion*

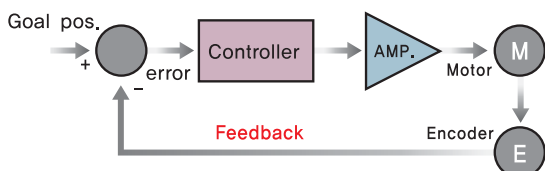
**Ezi-SERVO<sup>®</sup> BT**

**Closed Loop Stepping System**



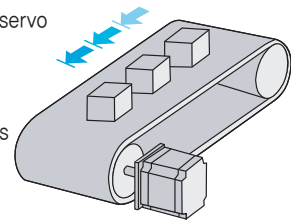
## 1 Closed Loop System

Ezi-SERVO<sup>®</sup> is an innovative closed loop stepping motor and controller that utilizes a high-resolution motor mounted encoder to constantly monitor the motor shaft position. The encoder feedback feature allows the Ezi-SERVO<sup>®</sup> to update the current motor shaft position information every 25 micro seconds. This allows the Ezi-SERVO<sup>®</sup> drive to compensate for the loss of position, ensuring accurate positioning. For example, due to a sudden load change, a conventional stepper motor and drive could lose a step creating a positioning error and a great deal of cost to the end user!



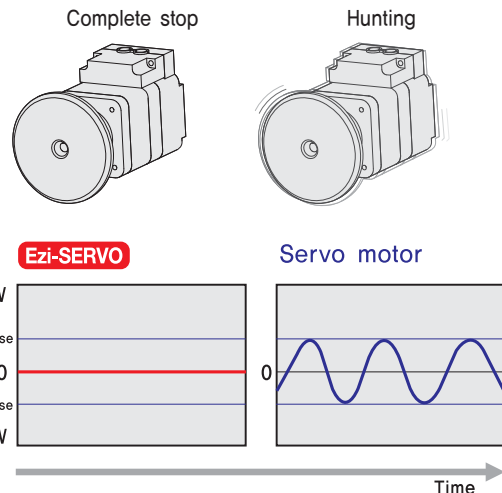
## 2 No Gain Tuning

Conventional servo systems, to ensure machine performance, smoothness, positional error and low servo noise, require the adjustment of its servo's gains as an initial crucial step. Even systems that employ auto-tuning require manual tweaking after the system is installed, especially if more than one axis are interdependent, Ezi-SERVO<sup>®</sup> employs the best characteristics of stepper and closed loop motion controls and algorithms to eliminate the need of tedious gain tuning required for conventional closed loop servo systems. This means that Ezi-SERVO<sup>®</sup> is optimized for the application and ready to work right out of the box! The Ezi-SERVO<sup>®</sup> system employs the unique characteristics of the closed loop stepping motor control, eliminating these cumbersome steps and giving the engineer a high performance servo system without wasting setup time. Ezi-SERVO<sup>®</sup> is especially well suited for low stiffness loads (for example, a belt and pulley system) that sometimes require conventional servo systems to inertia match with the added expense and bulk of a gearbox. Ezi-SERVO<sup>®</sup> also performs exceptionally, even under heavy loads and high speeds!



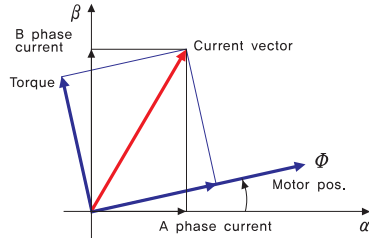
## 3 No Hunting

Traditional servo motor drives overshoot their position and try to correct by overshooting the opposite direction, especially in high gain applications. This is called null hunt and is especially prevalent in systems that the break away or static friction is significantly higher than the running friction. The cure is lowering the gain, which affects accuracy or using Ezi-SERVO<sup>®</sup> Motion Control System! Ezi-SERVO<sup>®</sup> utilizes the unique characteristics of stepping motors and locks itself into the desired target position, eliminating Null Hunt. This feature is especially useful in applications such as nanotech manufacturing, semiconductor fabrication, vision systems and ink jet printing in which system oscillation and vibration could be a problem.



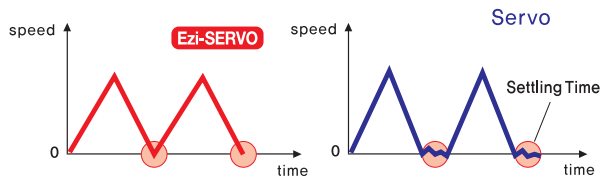
## 4 Smooth and Accurate

Ezi-SERVO<sup>®</sup> is a high-precision servo drive, using a high-resolution encoder with 32,000 pulses/revolution. Unlike a conventional Microstep drive, the on-board high performance DSP (Digital Signal Processor) performs vector control and filtering, producing a smooth rotational control with minimum ripples.



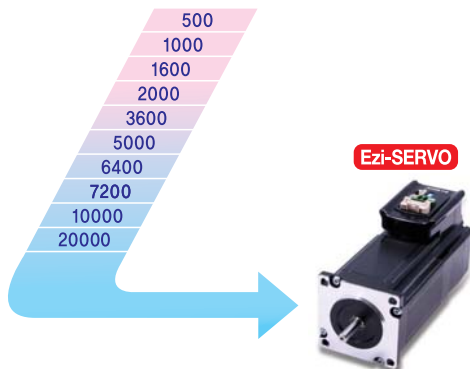
## 5 Fast Response

Similar to conventional stepping motors, Ezi-SERVO<sup>®</sup> instantly synchronizes with command pulses providing fast positional response. Ezi-SERVO<sup>®</sup> is the optimum choice when zero-speed stability and rapid motions within a short distance are required. Traditional servo motor systems have a natural delay between the commanding input signals and the resultant motion because of the constant monitoring of the current position, necessitating a waiting time until it settles, called settling time.



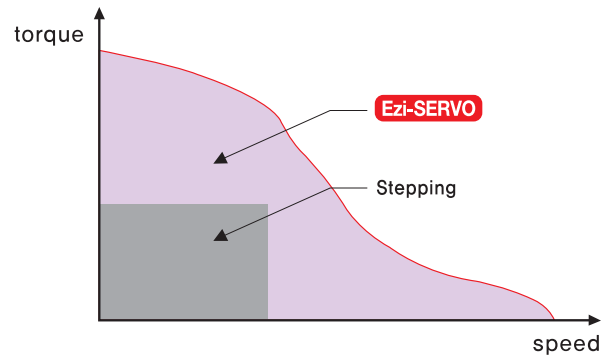
## 6 High Resolution

The unit of the position command can be divided precisely. (Max, 20,000 pulses/revolution)



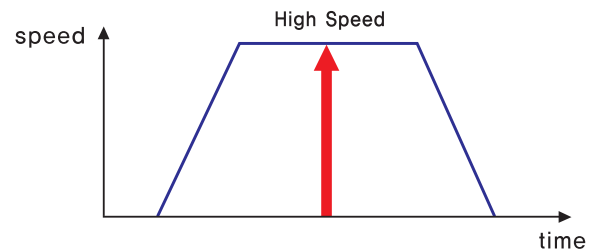
## 7 High Torque

Compared with common step motors and drives, Ezi-SERVO<sup>®</sup> motion control systems can maintain a high torque state over relatively long period of time. This means that Ezi-SERVO continuously operates without loss of position under 100% of the load. Unlike conventional Microstep drives, Ezi-SERVO<sup>®</sup> exploits continuous high-torque operation during high-speed motion due to its innovative optimum current phase control.



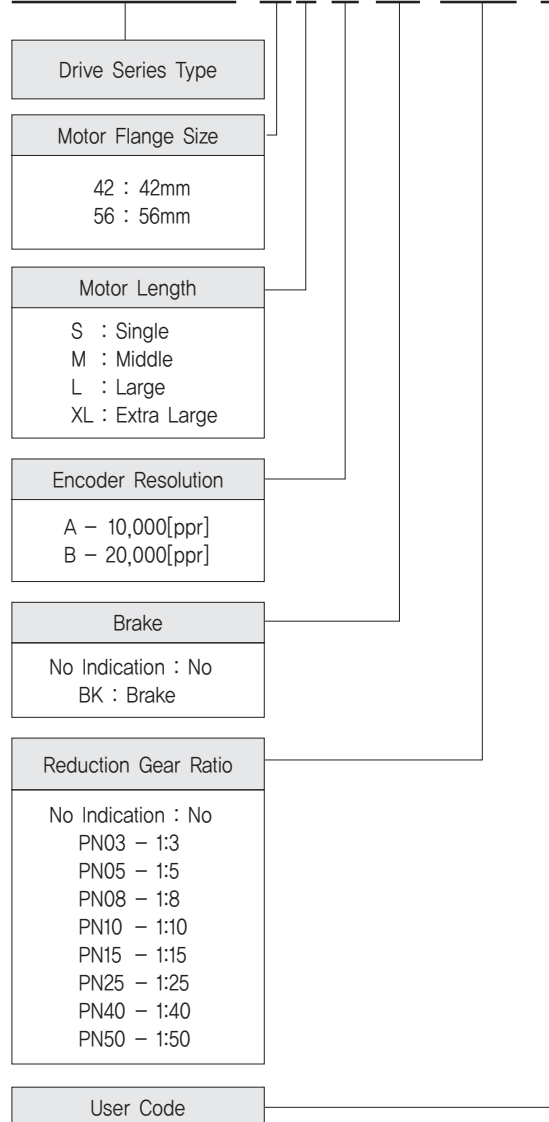
## 8 High Speed

The Ezi-SERVO<sup>®</sup> functions well at high speed without the loss of Synchronism or positioning error. Ezi-SERVO<sup>®</sup>'s ability of continuous monitoring of current position enables the stepping motor to generate high-torque, even under a 100% load condition.



## ● Part Numbering

Ezi-SERVO-BT-56L-A-BK-PN05-□



## ● Combination List of Ezi-SERVO BT

UNIT No.	MOTOR No.	DRIVE No.
Ezi-SERVO-BT-42S-A	Motor & Drive Integrated	
Ezi-SERVO-BT-42S-B		
Ezi-SERVO-BT-42M-A		
Ezi-SERVO-BT-42M-B		
Ezi-SERVO-BT-42L-A		
Ezi-SERVO-BT-42L-B		
Ezi-SERVO-BT-42XL-A		
Ezi-SERVO-BT-42XL-B		
Ezi-SERVO-BT-56S-A		
Ezi-SERVO-BT-56S-B		
Ezi-SERVO-BT-56M-A		
Ezi-SERVO-BT-56M-B		
Ezi-SERVO-BT-56L-A		
Ezi-SERVO-BT-56L-B		

## ● Advantages over Open-loop Control Stepping Drive

1. Reliable positioning without loss of synchronism.
2. Holding stable position and automatically recovering to the original position even after experiencing positioning error due to external forces, such as mechanical vibration or vertical positional holding.
3. Ezi-SERVO® utilizes 100% of the full range of rated motor torque, contrary to a conventional open-loop stepping driver that can use up to 50% of the rated motor torque due to the loss of synchronism.
4. Capability to operate at high speed due to load-dependant current control, open-loop stepper drivers use a constant current control at all speed ranges without considering load variations.

## ● Advantages over Servo Motor Controller

1. No gain tuning (Automatic adjustment of gain in response to a load change.)
2. Maintains the stable holding position without oscillation after completing positioning.
3. Fast positioning due to the independent control by on-board DSP.
4. Continuous operation during rapid short-stroke movement due to instantaneous positioning.

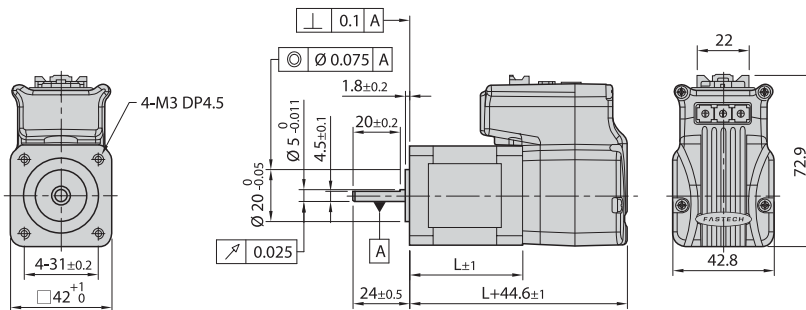
## ● Specifications

Input Voltage		24VDC $\pm$ 10%
Control Method		Closed loop control with 32bit DSP
Current Consumption		Max 500mA (Except motor current)
Operating Condition	Ambient Temperature	In Use : 0~50°C In Storage : -20~70°C
	Humidity	In Use : 35~85% In Storage : 10~90%
	Vib. Resist.	0,5G
Function	Rotation Speed	0~3000rpm
	Resolution(P/R)	10,000/Rev. Encoder model : 500 1,000 1,600 2,000 3,600 5,000 6,400 7,200 10,000 20,000/Rev. Encoder model : 500 1,000 1,600 2,000 3,600 5,000 6,400 7,200 10,000 20,000 (Selectable with Rotary switch)
	Max. Input Pulse Frequency	500KHz (Duty 50%)
	Protection Functions	Over Current Error, Over Speed Error, Position Tracking Error, Over Load Error, Over Temperature Error, Over Regenerated Voltage Error, Motor Connect Error, Encoder Connect Error, Motor Voltage Error, In-Position Error, System Error, ROM Error, Position Overflow Error
	In-Position Selection	0~F (Selectable with Rotary switch)
	Position Gain Selection	0~F (Selectable with Rotary switch)
	Pulse Input Method	1-Pulse / 2-Pulse (Selectable with DIP switch)
	Speed/Position Control Command	Pulse train input
I/O Signals	Input Signals	Position command pulse, Servo On/Off, Alarm reset (Photocoupler input)
	Output Signals	In-Position, Alarm (Photocoupler output) Encoder signal (A+, A-, B+, B-, Z+, Z-, 26C31 of Equivalent) (Line Driver output)

## ● Motor Specifications

M O D E L		UNIT	Ezi-SERVO-BT 42S Series	Ezi-SERVO-BT 42M Series	Ezi-SERVO-BT 42L Series	Ezi-SERVO-BT 42XL Series
DRIVE METHOD		----	BI-POLAR			
NUMBER OF PHASES		----	2	2	2	2
VOLTAGE		VDC	3,36	4,32	4,56	7,2
CURRENT per PHASE		A	1,2	1,2	1,2	1,2
RESISTANCE per PHASE		Ohm	2,8	3,6	3,8	6,0
INDUCTANCE per PHASE		mH	5,4	7,2	8,0	15,6
HOLDING TORQUE		N · m	0,32	0,44	0,5	0,65
ROTOR INERTIA		g · cm <sup>2</sup>	35	54	77	114
WEIGHTS		g	250	280	350	500
LENGTH (L)		mm	34	40	48	60
ALLOWABLE OVERHUNG LOAD (DISTANCE FROM END OF SHAFT)	3mm	N	22	22	22	22
	8mm		26	26	26	26
	13mm		33	33	33	33
	18mm		46	46	46	46
ALLOWABLE THRUST LOAD		N	Lower than motor weight			
INSULATION RESISTANCE		MOhm	100MΩ MIN.(at 500VDC)			
INSULATION CLASS		----	CLASS B (130°C)			
OPERATING TEMPERATURE		°C	0 to 55			

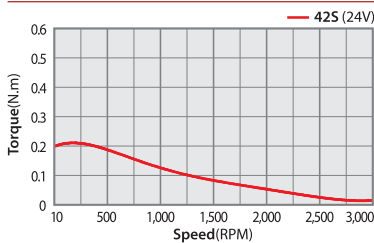
## ● Motor Dimension [mm] and Torque Characteristics



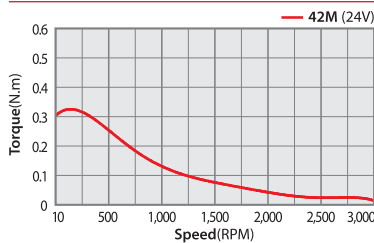
### 42mm

Model name	Length(L)
42S	34
42M	40
42L	48
42XL	60

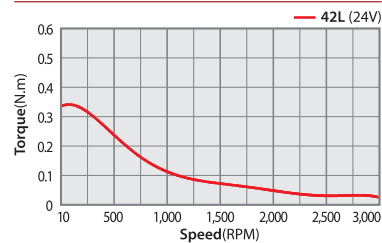
### Ezi-SERVO BT\_ 42S Series



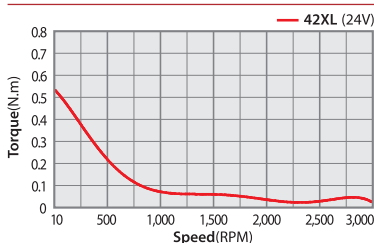
### Ezi-SERVO BT\_ 42M Series



### Ezi-SERVO BT\_ 42L Series



### Ezi-SERVO BT\_ 42XL Series

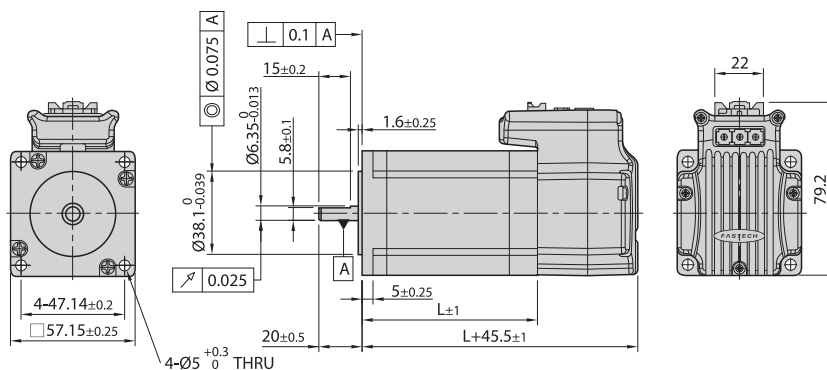


## ● Motor Specifications

M O D E L		UNIT	Ezi-SERVO-BT 56S Series	Ezi-SERVO-BT 56M Series	Ezi-SERVO-BT 56L Series
DRIVE METHOD		----	BI-POLAR		
NUMBER OF PHASES		----	2	2	2
VOLTAGE		VDC	1,56	1,62	2,64
CURRENT per PHASE		A	3,0	3,0	3,0
RESISTANCE per PHASE		Ohm	0,52	0,54	0,88
INDUCTANCE per PHASE		mH	1,2	2,0	4,0
HOLDING TORQUE		N · m	0,64	1,0	1,5
ROTOR INERTIA		g · cm <sup>2</sup>	180	280	520
WEIGHTS		g	500	700	1150
LENGTH (L)		mm	46	55	80
ALLOWABLE OVERHUNG LOAD (DISTANCE FROM END OF SHAFT)	3mm	N	52	52	52
	8mm		65	65	65
	13mm		85	85	85
	18mm		123	123	123
ALLOWABLE THRUST LOAD		N	Lower than motor weight		
INSULATION RESISTANCE		MOhm	100MΩ MIN.(at 500VDC)		
INSULATION CLASS		----	CLASS B (130°C)		
OPERATING TEMPERATURE		°C	0 to 55		

## ● Motor Dimension [mm] and Torque Characteristics

FASTECH Ezi-SERVO BT

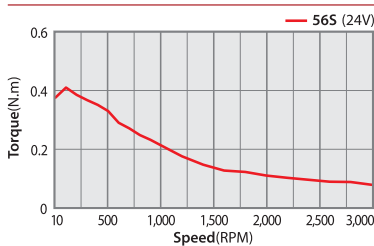


### 56mm

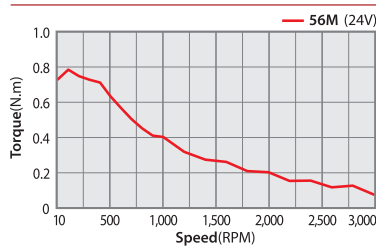
Model name	Length(L)
56S	46
56M	55
56L	80

※ There are 2 kinds size of front shaft diameter for Ezi-SERVO-BT-56 series as  $\phi 6.35$  and  $\phi 8.0$ .

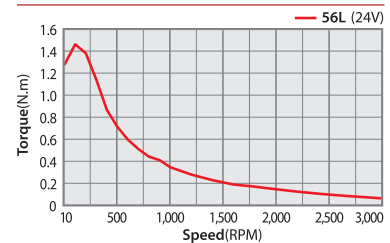
**Ezi-SERVO BT\_ 56S Series**



**Ezi-SERVO BT\_ 56M Series**

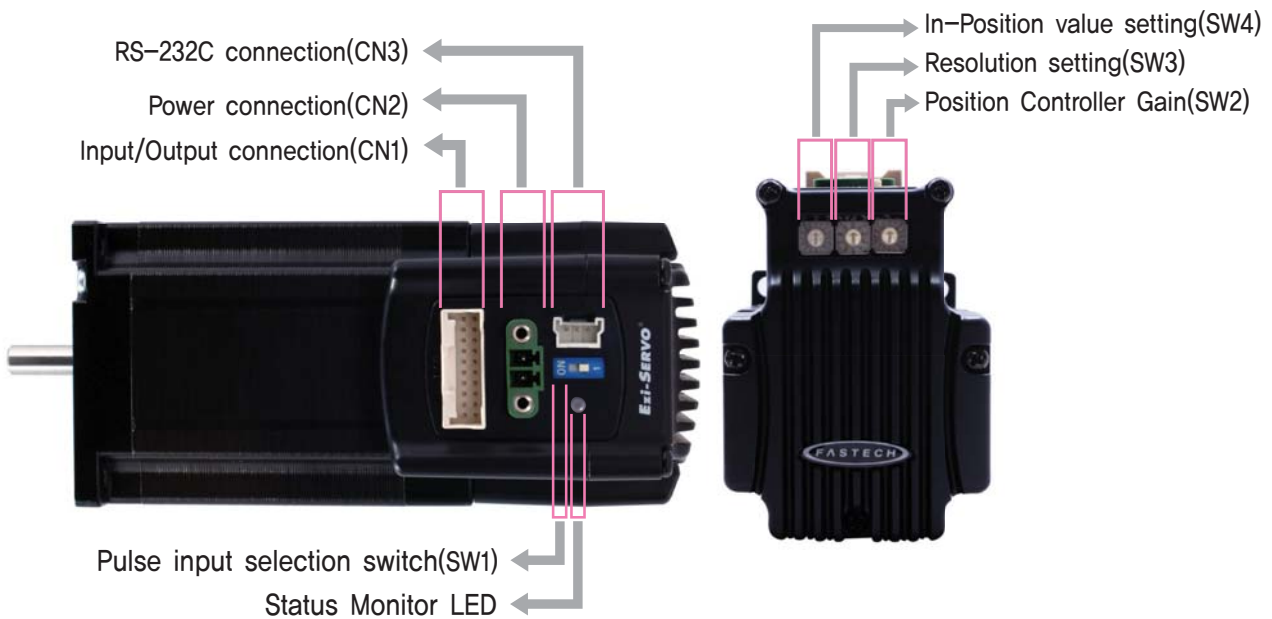


**Ezi-SERVO BT\_ 56L Series**





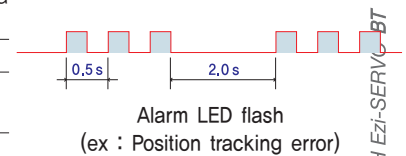
## ● Setting and Operating



### ◆ Protection function and LED flash times

When Alarm occurs, can recognize main reason of alarming thru by LED flash times.

Times	Protection	Conditions
1	Over Current Error	The current through power devices in inverter exceeds the limit value
2	Over Speed Error	Motor speed exceed 3,000rpm
3	Position Tracking Error	Position error value is higher than 90° in motor run state
4	Over Load Error	The motor is continuously operated more than 5 second under a load exceeding the max. torque
5	Over Temperature Error	Inside temperature of drive exceeds 85°C
6	Over Regenerated Voltage Error	Back-EMF more than 50V
7	Motor Connect Error	The power is ON without connection of the motor cable to drive
8	Encoder Connect Error	Cable connection error with Encoder connector in drive
9	Motor Voltage Error	Motor voltage is less than 20V
10	In-Position Error	After operation is finished, a position error occurs
11	System Error	Error occurs in drive system
12	ROM Error	Error occurs in parameter storage device(ROM)
15	Position Overflow Error	Position error value is higher than 90° in motor stop state



### 1. Pulse Input and Motor Direction Selection Switch(SW1)

Indication	Switch Name	Functions
2P/1P	Selecting Pulse Input Mode	Selectable 1-Pulse input mode or 2-Pulse input mode as Pulse input signal. ON : 1-Pulse mode OFF : 2-Pulse mode ※Default : 2-Pulse mode

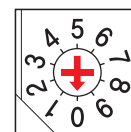
### 2. Resolution Selection Switch(SW3)

The Number of pulse per revolution.

Position	Pulse/Rotation	Position	Pulse/Rotation
0	500*1	5	3,600
1	500	6	5,000
2	1,000	7	6,400
3	1,600	8	7,200
4	2,000	9	10,000*2

\*1 : Resolution value depend on encoder type.

\*2 : Default = 10,000



### 3. Position Controller Gain Selection Switch(SW2)

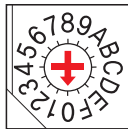
The Position Controller Gain Switch allows for the correction of the motor position deviation after stopping caused by load and friction. Depending on the motor load, the user may have to select a different gain position to stabilize and to correct positional error quickly.

To tune the controller

1. Set the switch to "0" position.
2. Start to rotate the switch until system becomes stable.
3. Rotate the switch +/- 1~2 position to reach better performance.

Position	Time Constant of the Integral part	Proportional Gain*1
0	1	1
1	1	2
2	1	3
*23	1	4
4	1	5
5	1	6
6	2	1
7	2	2
8	2	3
9	2	4
A	2	5
B	3	1
C	3	2
D	3	3
E	3	4
F	3	5

\*1 : Value in the columns are in relative units. They only show the parameter changes depending on the switch's position.  
 \*2 : Default = 3



### 4. In-Position Value Setting Switch(SW4)

To select the output condition of In-Position signal, In-Position output signal is generated when the pulse number of positional error is lower than selected In-Position value set by this switch after positioning command is executed.

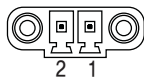
Position	In-Position Value[Pulse] Fast Response	Position	In-Position Value[Pulse] Accurate Response
*10	0	8	0
1	1	9	1
2	2	A	2
3	3	B	3
4	4	C	4
5	5	D	5
6	6	E	6
7	7	F	7

\*1 : Default = 0  
 \*Please refer to User Manual for setup.



### 5. Power Connector(CN2)

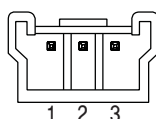
NO.	Function
1	24VDC ±10%
2	GND



### 6. RS-232C Communication(CN3)

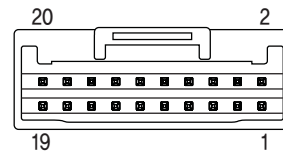
Communication Port to set parameter by computer. Baud Rate is 115200bps. To set parameter, please use included GUI program.

NO.	Function
1	Rx
2	Tx
3	GND

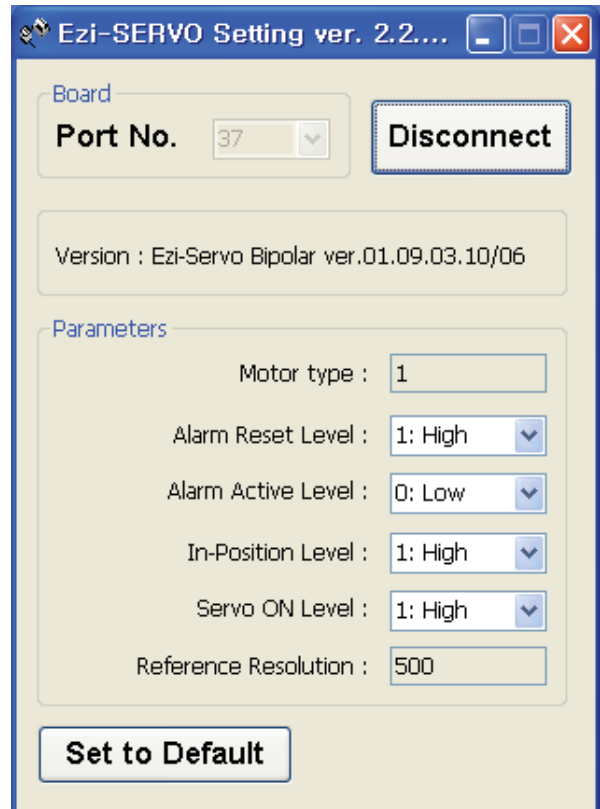


### 7. Input/Output Signal(CN1)

NO.	Function	I/O
1	CW+(Pulse+)	Input
2	CW-(Pulse-)	Input
3	CCW+(Dir+)	Input
4	CCW-(Dir-)	Input
5	A+	Output
6	A-	Output
7	B+	Output
8	B-	Output
9	Z+	Output
10	Z-	Output
11	Alarm	Output
12	In-Position	Output
13	Servo On/Off	Input
14	Alarm Reset	Input
15	NC	----
16	BRAKE+	Output
17	BRAKE-	Output
18	Signal-GND	Output
19	24VDC GND	Input
20	24VDC	Input



## GUI(Graphic User Interface)



## ● System Configuration



Type	Signal Cable	Power Cable
Standard Length	–	–
Max. Length	20m	2m

### 1. Cable Option

#### ① Signal Cable

Available to connect between Control System and Ezi-SERVO BT.

Item	Length[m]	Remark
CSVB-S-□□□F	□□□	Normal Cable
CSVB-S-□□□M	□□□	Robot Cable

□ is for Cable Length. The unit is 1m and Max, 20m length.

#### ② Power Cable

Available to connect between Power and Ezi-SERVO BT.

Item	Length[m]	Remark
CSVA-P-□□□F	□□□	Normal Cable
CSVA-P-□□□M	□□□	Robot Cable

□ is for Cable Length. The unit is 1m and Max, 20m length.

#### ③ RS-232C Cable

Cable to connect Ezi-SERVO BT series and computer. Please use this cable to change parameter as like resolution of Drive and Stop current.

Item	Length[m]	Remark
CBTB-C-□□□F	□□□	Normal Cable

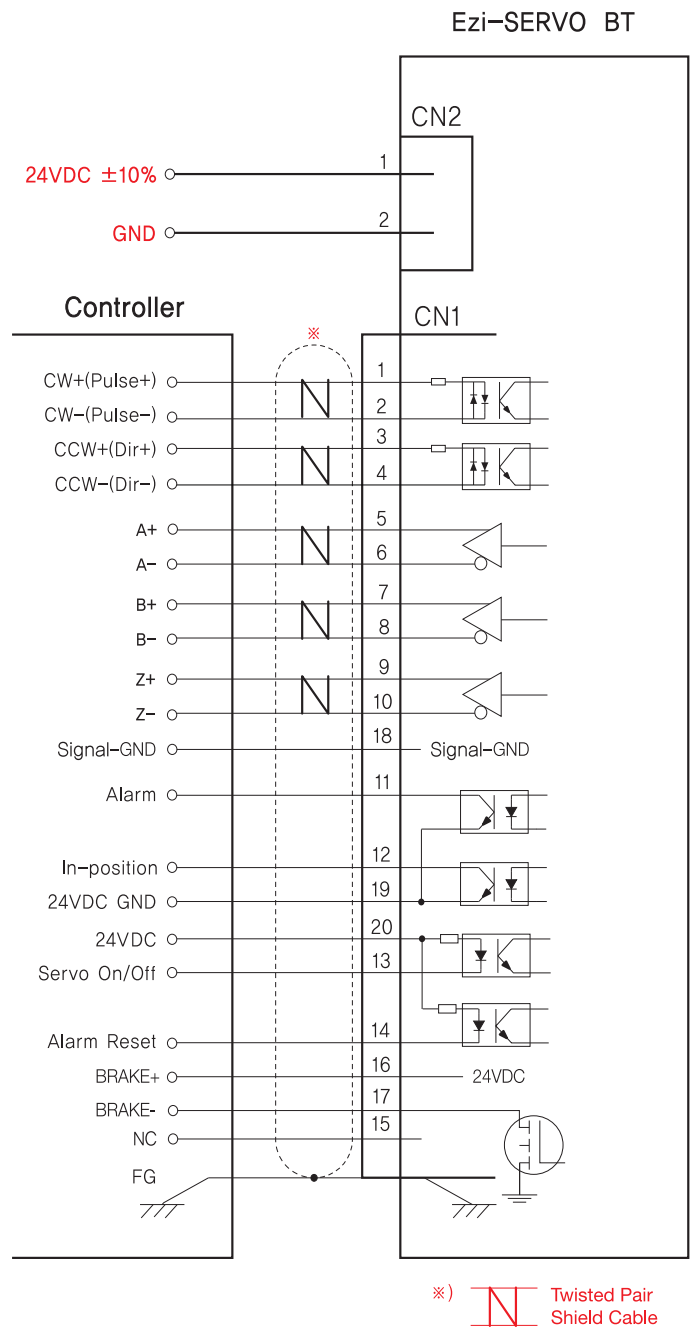
□ is for Cable Length. The unit is 1m and Max, 15m length.

### 3. Connector for Cabling

ITEM		Specification	Maker
Power Connector (CN2)	Terminal Block	AKZ1550/2F-3,81	PTR
Signal Connector (CN1)	Housing	501646-2000	MOLEX
	Terminal	501648-1000(AWG 26~28)	MOLEX
RS-232C Connector (CN3)	Housing	33507-0300	MOLEX
	Terminal	50212-8100	MOLEX

※These connectors are serviced together with Ezi-SERVO BT except when purchasing option cables.  
 ※Above connector is the most suitable product for Ezi-SERVO BT. Another equivalent connector can be used.

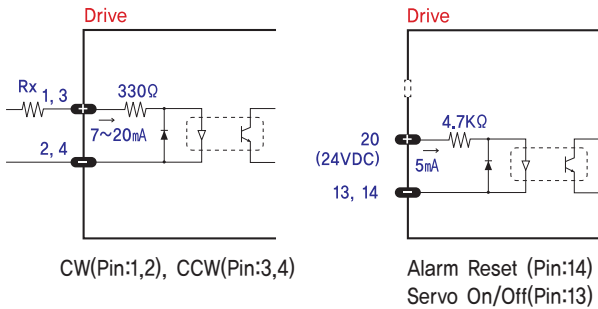
### ● External Wiring Diagram



## Control Signal input/output Description

### 1 Input Signal

Input signals of the drive are all photocoupler protected. The signal shows the status of internal photocouplers [ON: conduction], [OFF: Non-conduction], not displaying the voltage levels of the signal.



#### ◆ CW, CCW Input

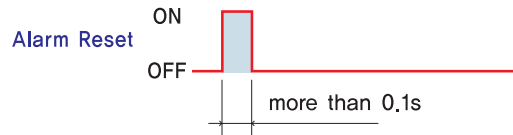
This signal can be used to receive a positioning pulse command from a user host motion controller. The user can select 1-pulse input mode or 2-pulse input mode (refer to switch No.1, SW1). The input schematic of CW, CCW is designed for 5V TTL level. When using 5V level as an input signal, the resistor Rx is not used and connect to the driver directly. When the level of input signal is more than 5V, Rx resistor is required. If the resistor is absent, the drive will be damaged! If the input signal level is 12V, Rx value is 680ohm and 24V, Rx value is 1.8Kohm.

#### ◆ Servo On/Off Input

This input can be used only to adjust the position by manually moving the motor shaft from the load-side. By setting the signal [ON], the driver cuts off the power supply to the motor. Then, one can manually adjust output position. When setting the signal back to [OFF], the driver resumes the power to the motor and recovers the holding torque. When driving a motor, one needs to set the signal [OFF].

#### ◆ Alarm Reset Input

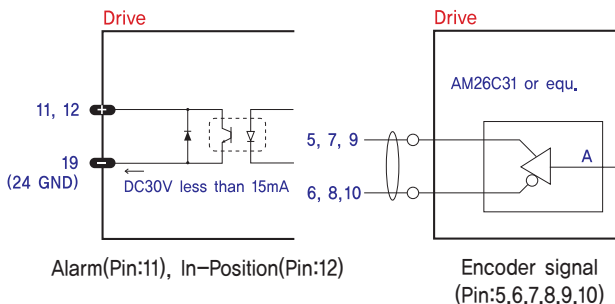
When a protection mode has been activated, a signal to this alarm reset input cancels the Alarm output.



\* By setting the alarm reset input signal [ON], cancel the Alarm output. Before cancel the Alarm output, have to remove the source of alarm.

### 2 Output Signal

Output signals from the driver are photocoupler protected: Alarm, In-Position and the Line Driver Outputs (encoder signal). In the case of photocoupler outputs, the signal indicates the status of internal photocouplers [ON: conduction], [OFF: Non-conduction], not displaying the voltage levels of the signal.



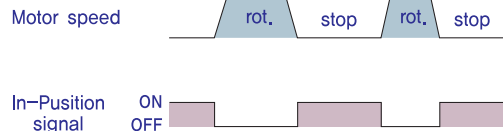
#### ◆ Alarm Output

The Alarm output indicates [ON] when the driver is in a normal operation. If a protection mode has been activated, it goes [OFF]. A host controller needs to detect this signal and stop sending a motor driving command. When the driver detects an abnormal operation such as overload or over current of the motor, it sets the Alarm output to [OFF], flashes the Alarm LED, disconnect the power to a motor and stops the motor simultaneously.

[Caution] Only at the Alarm output port, the photocoupler isolation is in reverse. When the driver is in normal operation the Alarm output is [ON]. On the contrary when the driver is in abnormal operation that start protection mode, the Alarm output is [OFF].

#### ◆ In-Position Output

In-Position signal is [ON] when positioning is completed. This signal is [ON] when the motor position error is within the value set by the switch SW4.



#### ◆ Encoder Signal Output

The encoder signal is a line driver output. This can be used to confirm the stop position.

# MEMO

FASTECH Ezi-SERVO BT

MEMO



*Fast, Accurate, Smooth Motion*

**FASTECH Co., Ltd.**

Rm#1202, 401-dong, Bucheon Techno-Park,  
655, Pyeongcheon-ro, Bucheon-si Gyeonggi-do,  
Republic of Korea (Zip:14502)  
TEL : +82-32-234-6300 FAX : +82-32-234-6302  
E-mail : [fastech@fastech.co.kr](mailto:fastech@fastech.co.kr)  
Homepage : [www.fastech.co.kr](http://www.fastech.co.kr)